

## Tubular Handles

### Stainless Steel

#### SPECIFICATION

##### Handle tube

Stainless steel AISI 304, wall thickness 2 mm  
Ground, matte shiny finish

##### Handle legs

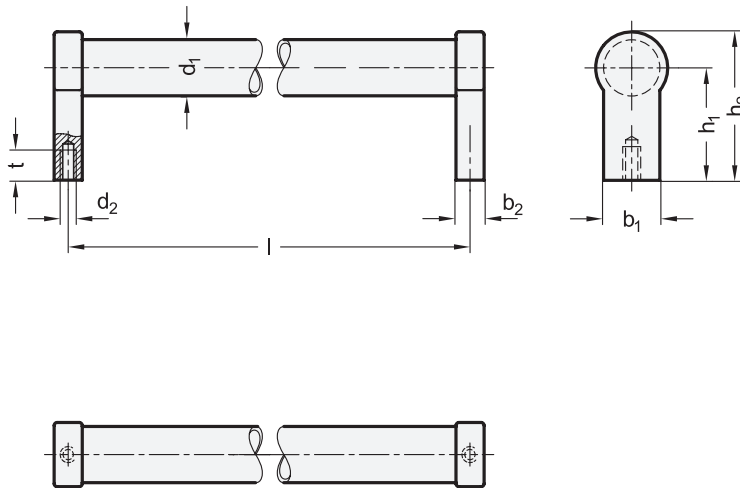
Stainless steel precision casting AISI CF-8  
Matte shot-blasted

#### INFORMATION

With the tubular handles GN 333.7, the handle legs and the handle tube are pressed together.

#### TECHNICAL INFORMATION

- Load Rating Information (see page A35)
- Stainless Steel Characteristics (see page A26)



#### GN 333.7

#### STAINLESS STEEL

Description	d1	l	b1	b2	d2	h1	h2	t min.	⚖
GN 333.7-28-200	28	200	25	14	M 8	50	66	15	514
GN 333.7-28-250	28	250	25	14	M 8	50	66	15	560
GN 333.7-28-300	28	300	25	14	M 8	50	66	15	626
GN 333.7-28-400	28	400	25	14	M 8	50	66	15	766
GN 333.7-28-500	28	500	25	14	M 8	50	66	15	881
GN 333.7-28-600	28	600	25	14	M 8	50	66	15	990